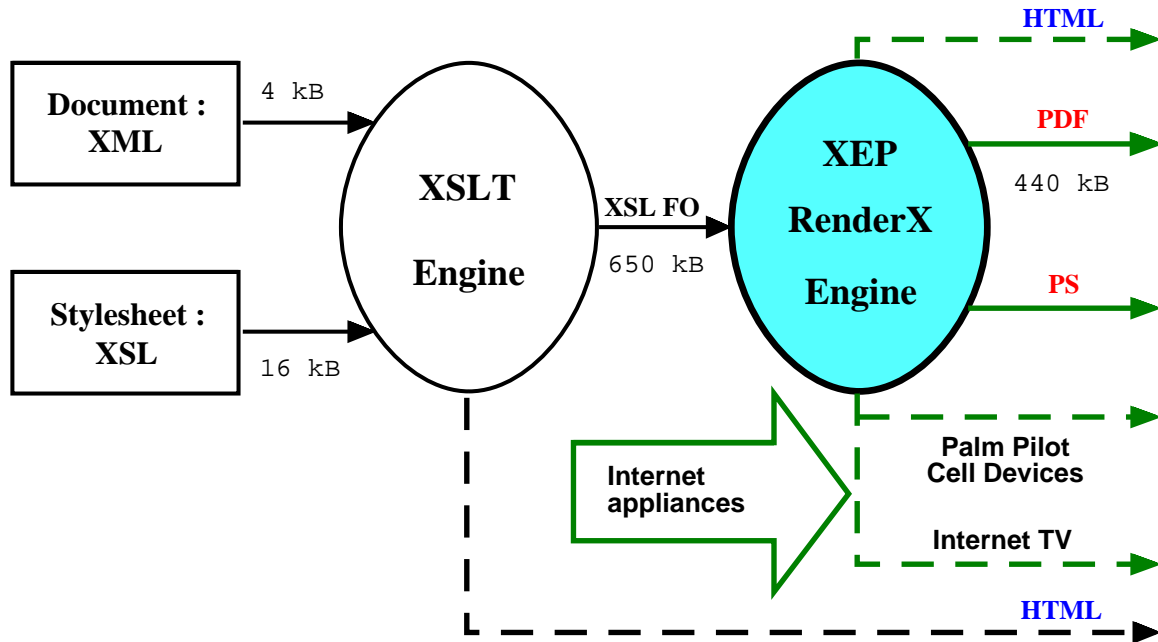


The RenderX Architecture

Sample. IBM Kasparov vs. Deep Blue Rematch



Document: XML. 4 kB

```
<?xml version="1.0" encoding="ISO-8859-1"?>
- <chessgame event="IBM Kasparov vs. Deep Blue Rematch" site="New York, NY USA" date="1997.05.03" round="1"
  white="Kasparov, Garry" black="Deep Blue" opening="Reti: King's Indian attack, Keres variation" result="1-0">
- <move>
  <white>N g1-f3</white>
  <black>P d7-d5</black>
</move>
```

Stylesheet: XML. 16 kB

```
<?xml version="1.0" encoding="ISO-8859-1"?>
- <xsl:stylesheet xmlns:xsl="http://www.w3.org/1999/XSL/Transform"
  xmlns:fo="http://www.w3.org/XSL/Format/1.0" result-ns="fo" result-encoding="ISO-8859-1">
<!-- ***** -->
<!-- * Page layout. * -->
<!-- ***** -->
- <xsl:template match="chessgame">
```

XSL FO. 650 kB

```
<?xml version="1.0" encoding="UTF-8"?>
- <fo:root xmlns:fo="http://www.w3.org/XSL/Format/1.0">
- <fo:layout-master-set>
  - <fo:simple-page-master page-master-name="pagemaster-first">
    <fo:region-body margin="1in 0.7in" vertical-align="middle" padding="0.1in"/>
    <fo:region-after extent="1in" margin="0in 0.7in" vertical-align="top" padding="6pt"/>
  </fo:simple-page-master">
```

PDF - 440 kB

```
%PDF-1.3
%ããïó
5 0 obj
<</Length 6 0 R
>>
stream
q
0.314 0.159 m
```

